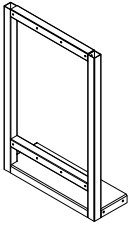
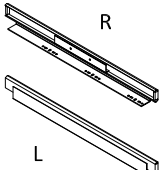
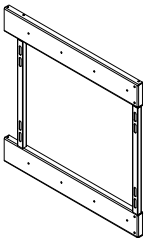
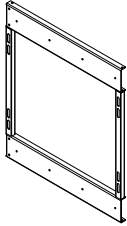
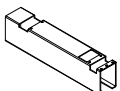

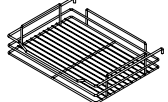



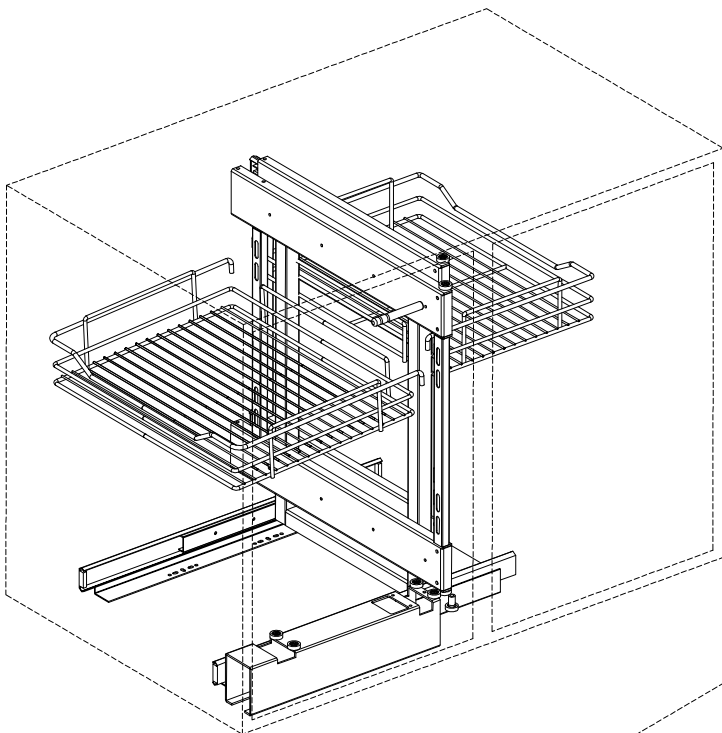


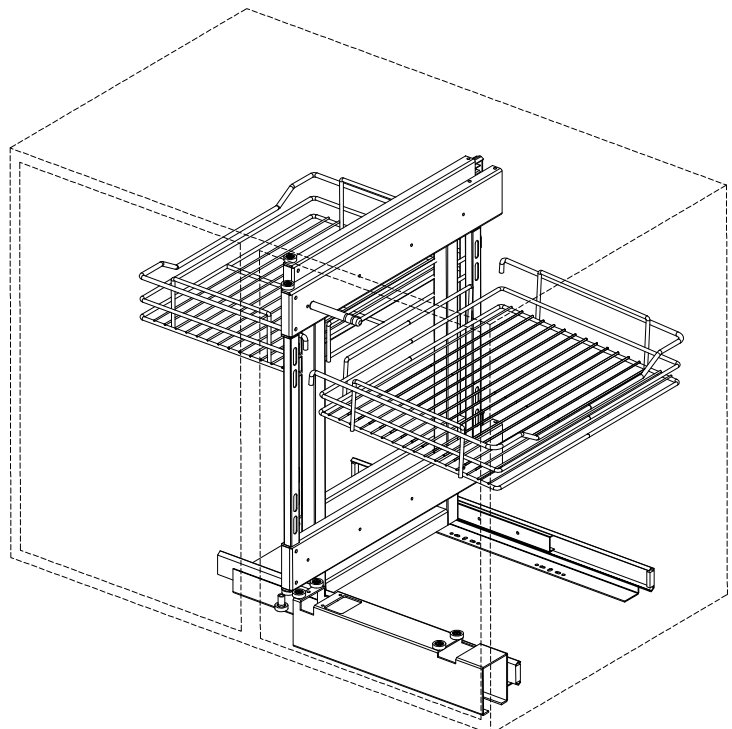
Installation Instruction For E4221A

Main Frame	Frame Slide	Big Basket Rack	Small Basket Rack	Front Channel	Big Basket	Small Basket
						
1 PCS	2PCS	1PCS	1PCS	1PCS	2PCS	2PCS
				Handle	Wood Screw	Screw
						
				2PCS	10PCS	22PCS

Left Assembly



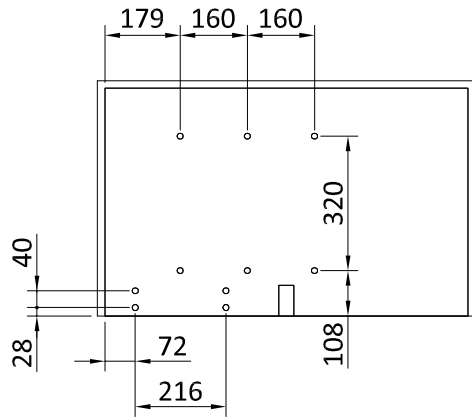
Right Assembly



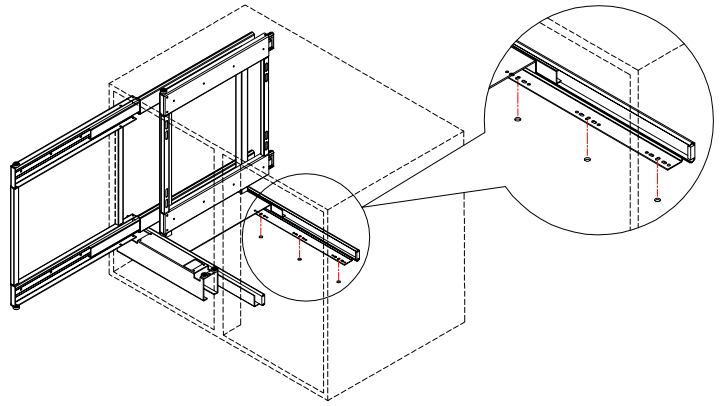
Installation Instruction For E4221A

Left Assembly

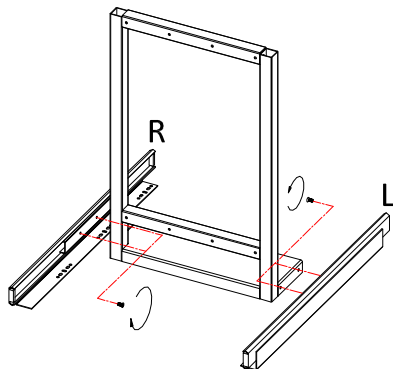
STEP 1: Mark screw holes on bottom board for Left open door



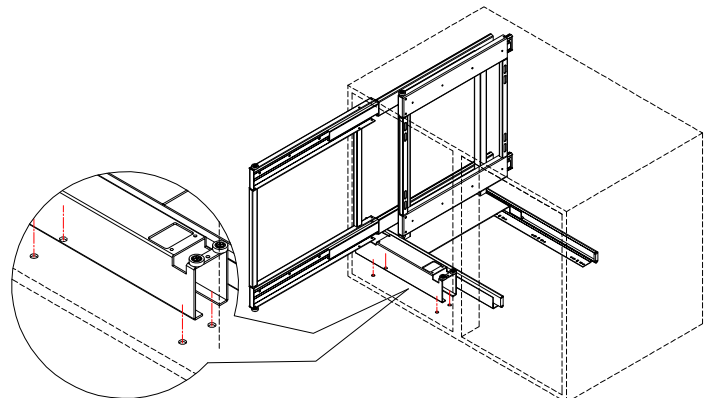
STEP 4: Match finished frame to screw holes on bottom board



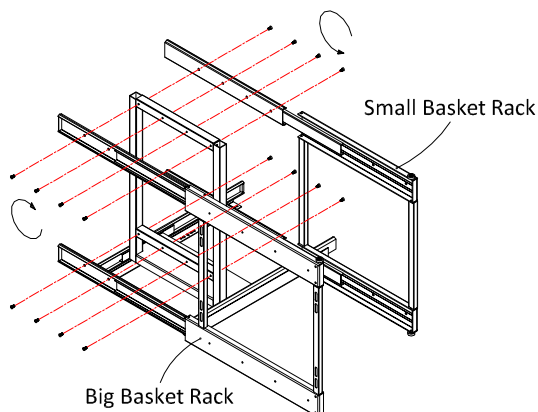
STEP 2: Screw frame slide L & slide R on main frame



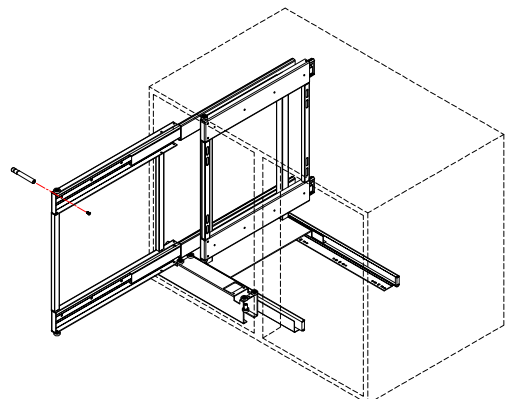
STEP 5: Match front channel to screw holes on bottom board



STEP 3: Screw big & small basket rack on main frame



STEP 6: Install pull-out handle on frame

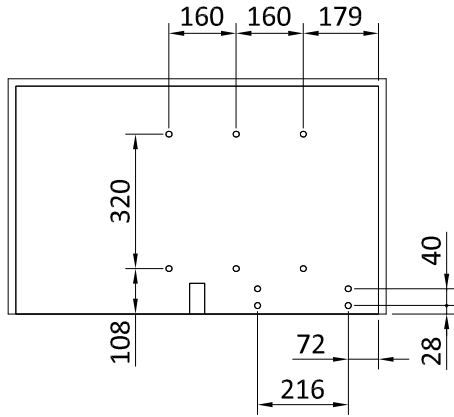




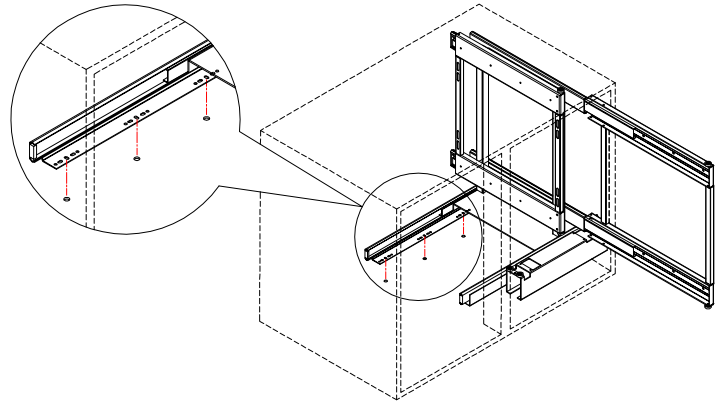
SUN CHAIN

Installation Instruction For E4221A Right Assembly

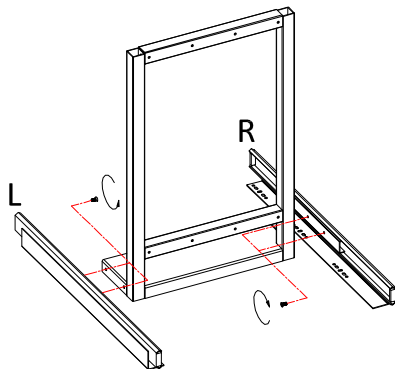
STEP 1: Mark screw holes on bottom board for Right open door



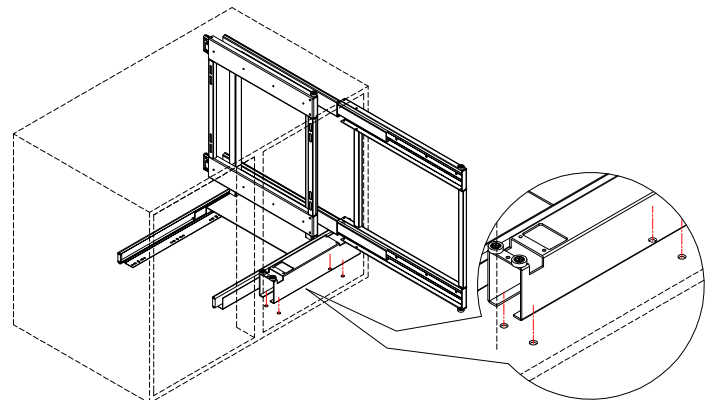
STEP 4: Match finished frame to screw holes on bottom board



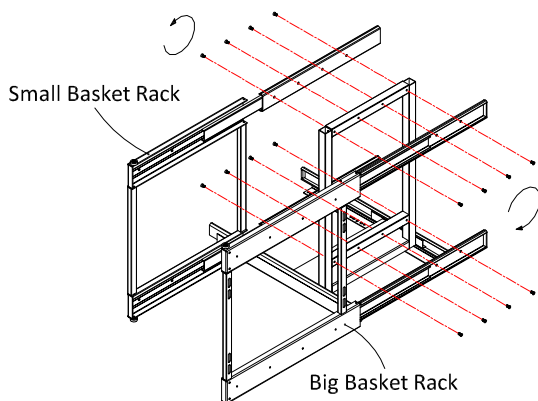
STEP 2: Screw frame slide L & slide R on main frame



STEP 5: Match front channel to screw holes on bottom board



STEP 3: Screw big & small basket rack on main frame



STEP 6: Install pull-out handle on frame

