

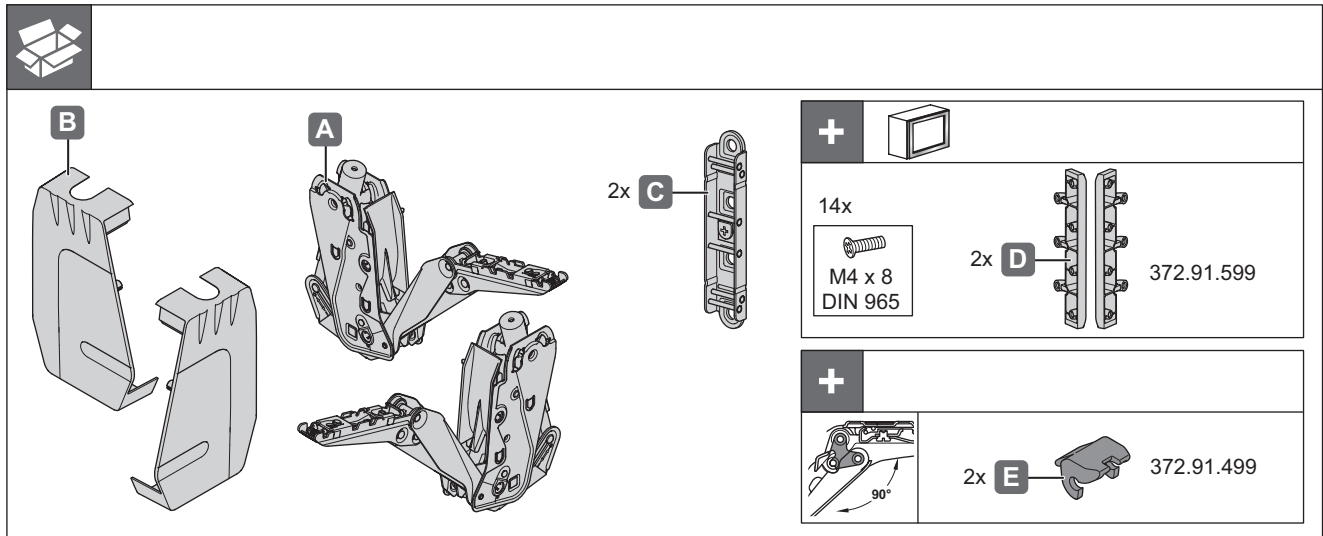


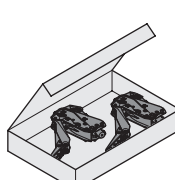
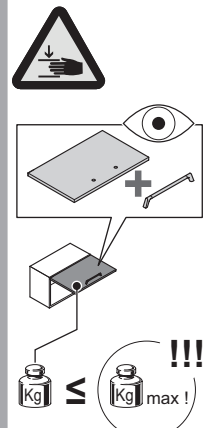
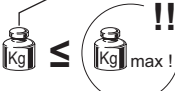
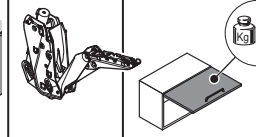

Free Flap 1.7

www.hafele.com

372.91.xxx

#W7Q



  	mm						
			A	B	C	RAL 9003	RAL 7035
250	A	1,3 - 3,8	372.91.720	372.91.320	372.91.700	372.91.300	
	B	2,9 - 6,4	372.91.721	372.91.321	372.91.701	372.91.301	
	C	5,4 - 11,8	372.91.722	372.91.322	372.91.702	372.91.302	
275	A	1,2 - 3,3	372.91.720	372.91.320	372.91.700	372.91.300	
	B	2,5 - 5,7	372.91.721	372.91.321	372.91.701	372.91.301	
	C	4,8 - 10,6	372.91.722	372.91.322	372.91.702	372.91.302	
300	A	1,1 - 3,1	372.91.720	372.91.320	372.91.700	372.91.300	
	B	2,4 - 5,1	372.91.721	372.91.321	372.91.701	372.91.301	
	C	4,4 - 9,6	372.91.722	372.91.322	372.91.702	372.91.302	
325	A	1,0 - 2,8	372.91.720	372.91.320	372.91.700	372.91.300	
	B	2,1 - 4,6	372.91.721	372.91.321	372.91.701	372.91.301	
	C	4,0 - 8,8	372.91.722	372.91.322	372.91.702	372.91.302	
350	A	0,9 - 2,6	372.91.720	372.91.320	372.91.700	372.91.300	
	B	2,0 - 4,2	372.91.721	372.91.321	372.91.701	372.91.301	
	C	3,7 - 8,1	372.91.722	372.91.322	372.91.702	372.91.302	
375	A	0,9 - 2,3	372.91.720	372.91.320	372.91.700	372.91.300	
	B	1,9 - 3,8	372.91.721	372.91.321	372.91.701	372.91.301	
	C	3,5 - 7,5	372.91.722	372.91.322	372.91.702	372.91.302	
400	A	0,8 - 2,1	372.91.720	372.91.320	372.91.700	372.91.300	
	B	1,7 - 3,6	372.91.721	372.91.321	372.91.701	372.91.301	
	C	3,2 - 7,0	372.91.722	372.91.322	372.91.702	372.91.302	

732.23.011

12.0001.010.378.0000.00

HDE 19.12.2012

i

Y	X
16	83
19	74
22	64
26	52
28	46

1

2

i

i

* $B = A - 5,5$
B min. = 7,0
B max. = 13,5

Euro \varnothing 6,3

732.23.011

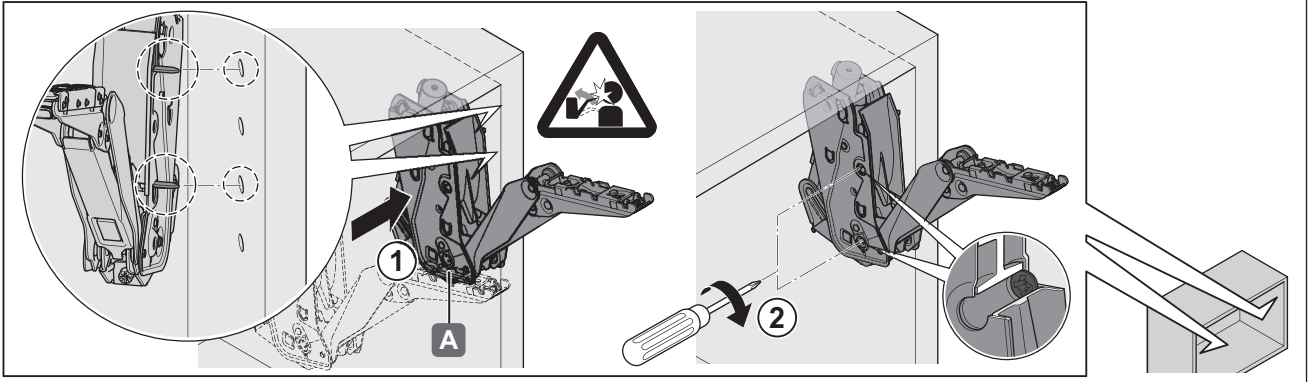
12.0001.010.378.0000.00

HDE 19.12.2012

3



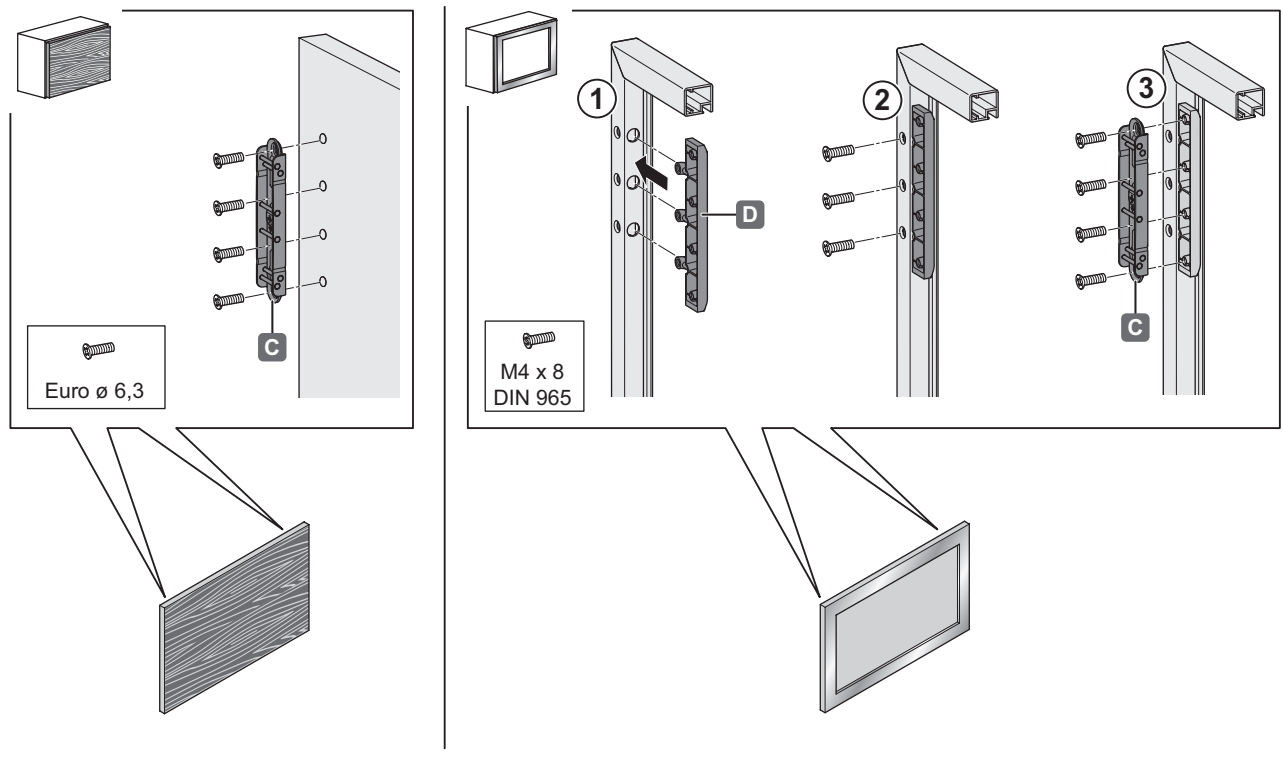
PZ 2



4



PZ 2

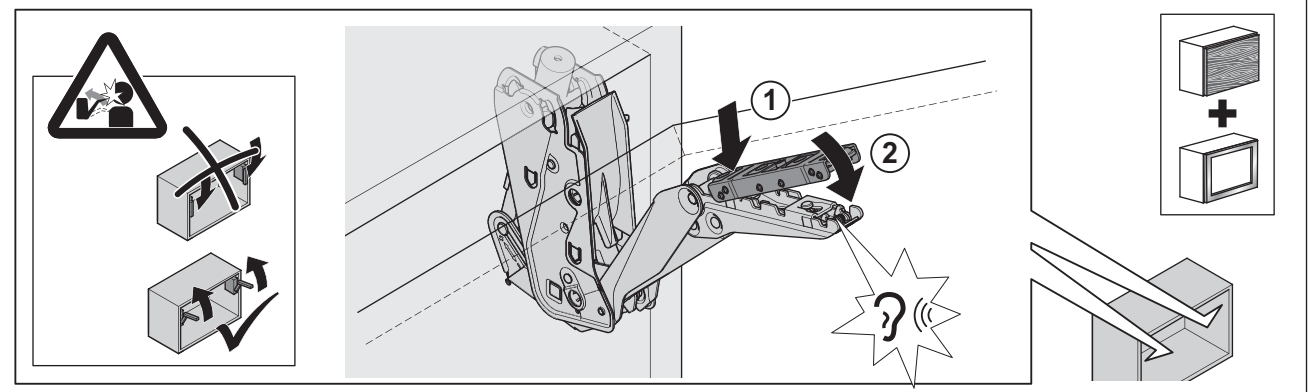


732.23.011

12.0001.010.378.0000.00

HDE 19.12.2012

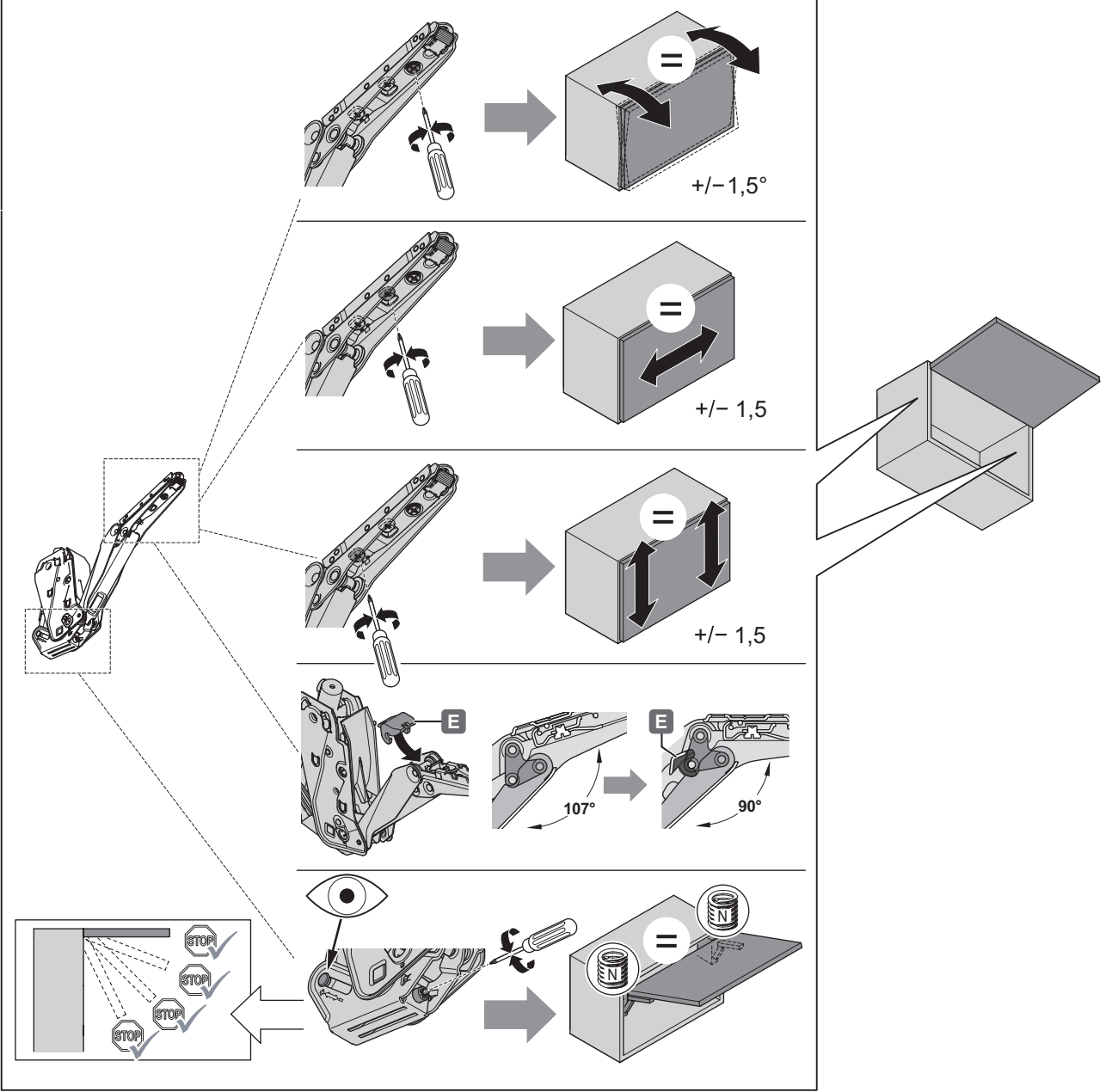
5



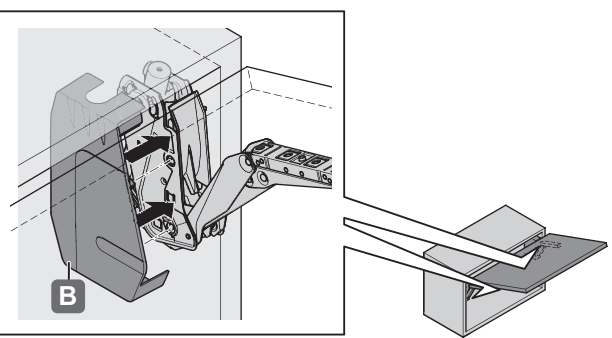
6



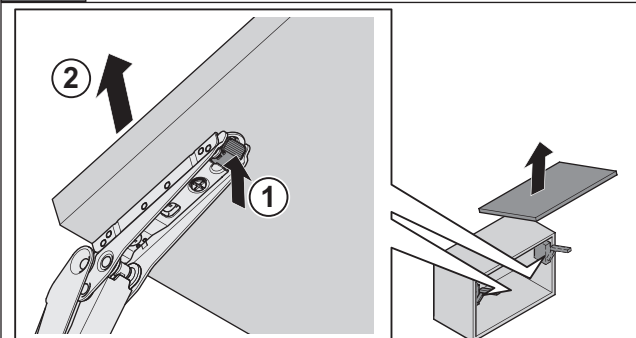
„mm“



7



i



732.23.011

12.0001.010.378.0000.00

HDE 19.12.2012